



WINKEL-Profil | WINKEL profiles

NEU

SPEED + SILENT Alu-Profil
SPEED + FORCE Alu-Profil

WINKEL-Profil aus Aluminium

Vorteile:

- Höhere Fertigungsgenauigkeit
- Maximale Lieferlänge 6 m
- Alle Profile aus hochwertigem Aluminium AW 6060 T66 nach DIN EN 12020-2 gefertigt
- Oberfläche blank
- Alle Profile in Fixlängen sofort ab Lager lieferbar
- Komplette Profilbearbeitung nach Kundenzeichnung auf Anfrage

CAD Download in 2D/3D unter www.winkel.de

NEW

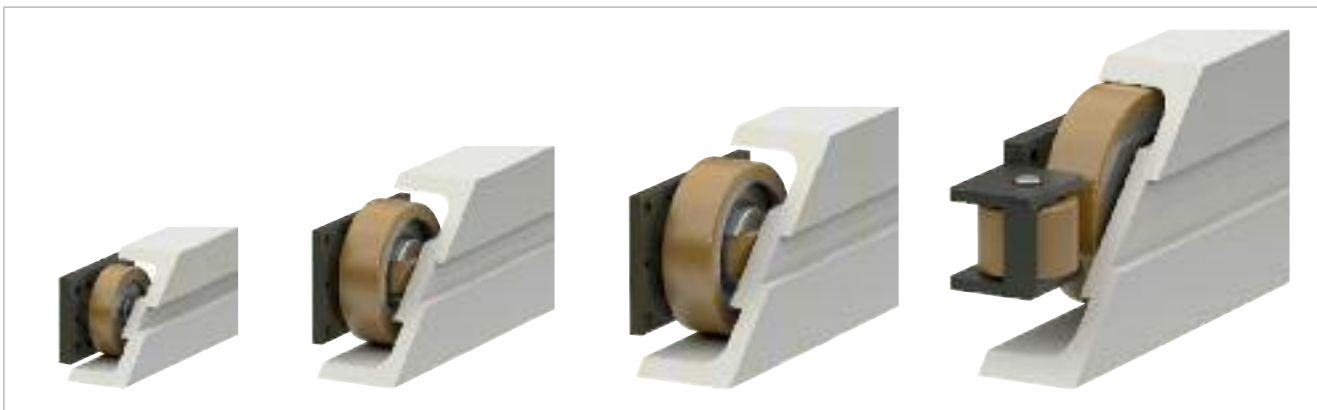
SPEED + SILENT alu profiles
SPEED + FORCE alu profiles

WINKEL profiles made of aluminium

Advantages:

- higher manufacturing accuracy
- max. delivery length 6 m
- all profiles are made of high-quality aluminium AW 6060 T66 according to DIN EN 12020-2
- surface finished
- all profiles in fixed lengths, immediately from stock available
- machined profiles according customers drawing on request

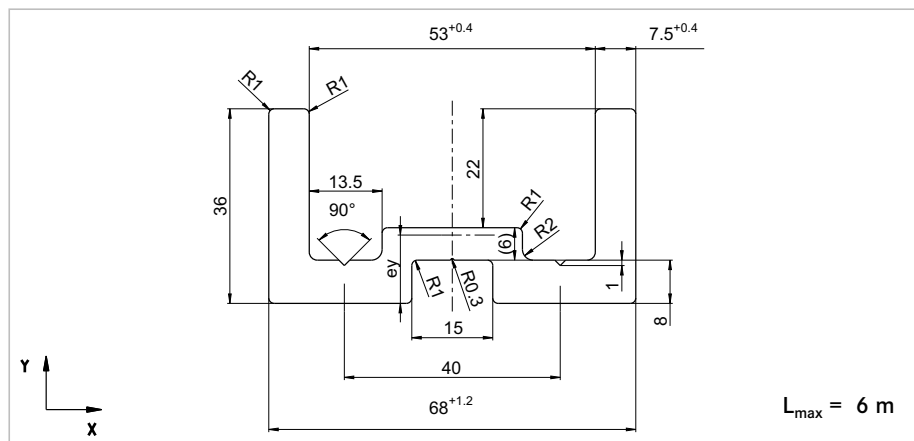
CAD download in 2D/3D at www.winkel.de



Standard S-ALU

Artikel-Nr. 113.002.041
Article no.

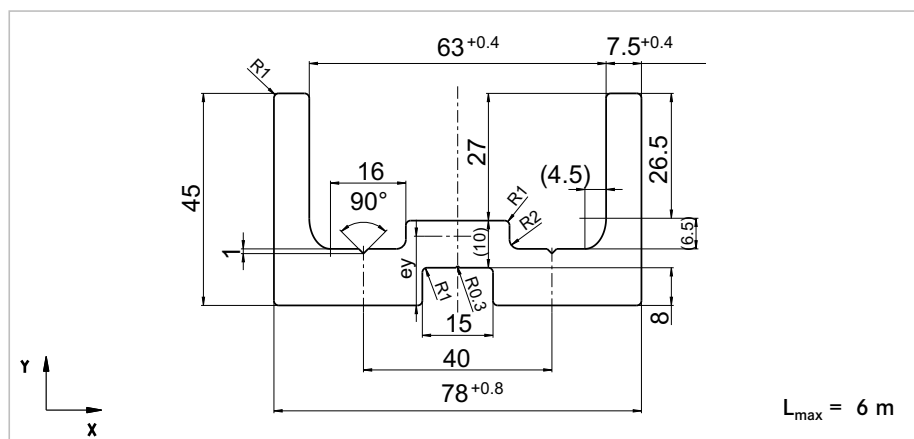
m	2,70 kg/m
A	9,98 cm ²
I _x	9,85 cm ⁴
W _x	4,20 cm ³
I _y	60,13 cm ⁴
W _y	17,68 cm ³
e _y	1,26 cm



Standard M-ALU

Artikel-Nr. 113.007.040
Article no.

m	3,92 kg/m
A	14,53 cm ²
I _x	20,64 cm ⁴
W _x	6,80 cm ³
I _y	110,43 cm ⁴
W _y	28,30 cm ³
e _y	1,47 cm



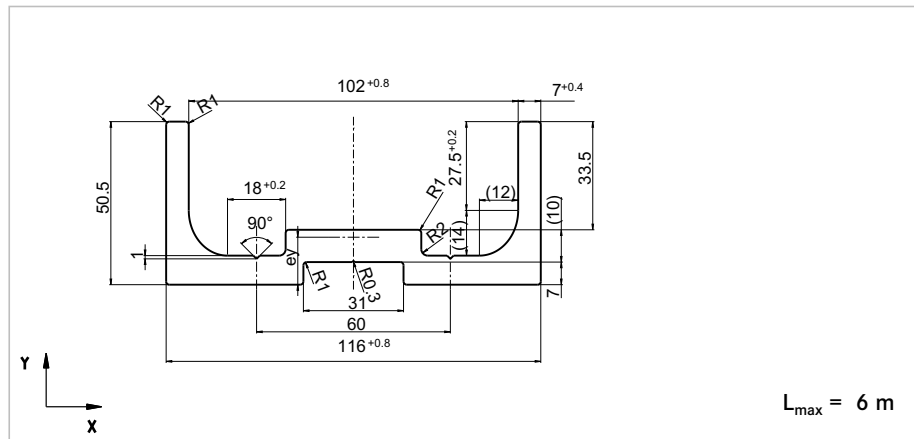


WINKEL-Profile | WINKEL profiles

Standard V-ALU

Artikel-Nr. 113.003.040
Article no.

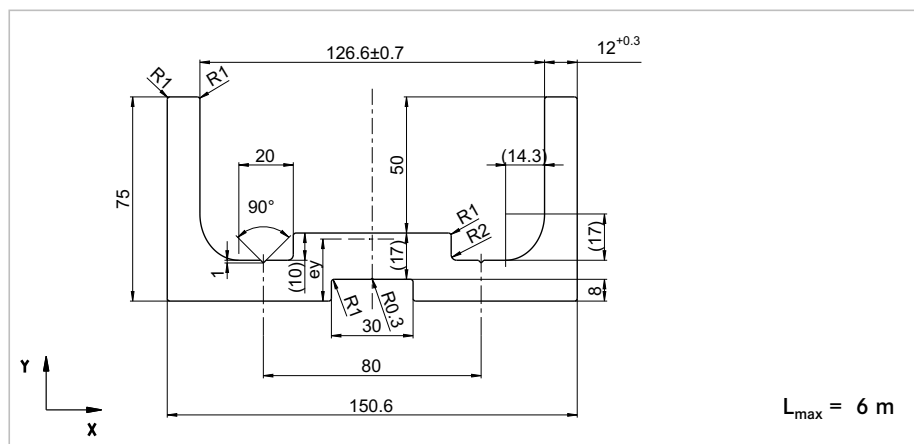
m	4,90 kg/m
A	18,14 cm ²
I _x	30,50 cm ⁴
W _x	8,50 cm ³
I _y	309,43 cm ⁴
W _y	53,40 cm ³
e _y	1,46 cm



Standard R-ALU

Artikel-Nr. 113.006.040
Article no.

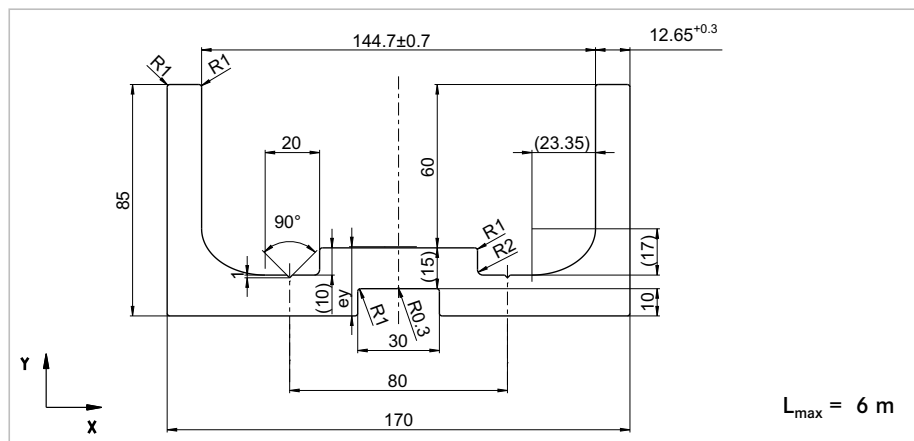
m	11,18 kg/m
A	41,41 cm ²
I _x	163,61 cm ⁴
W _x	31,40 cm ³
I _y	1171,61 cm ⁴
W _y	155,60 cm ³
e _y	2,28 cm



Standard W-ALU

Artikel-Nr. 113.004.040
Article no.

m	12,88 kg/m
A	47,69 cm ²
I _x	255,97 cm ⁴
W _x	42,90 cm ³
I _y	1802,77 cm ⁴
W _y	212,10 cm ³
e _y	2,54 cm



Standard X-ALU

Artikel-Nr. 113.005.040
Article no.

m	18,11 kg/m
A	67,05 cm ²
I _x	364,10 cm ⁴
W _x	60,30 cm ³
I _y	3985,25 cm ⁴
W _y	370,72 cm ³
e _y	2,68 cm

