



WINKEL-Profil | WINKEL profiles

SPEED + SILENT Profil Typ L

- Starkwandiges robustes Führungsprofil
- Materialgüte: S355 J2
- Profil in höherer Fertigungsqualität
- In lasergeschweißter Ausführung
- Passend für VULKOLLAN®- und POLYAMID WINKEL-Rollen
- Komplette Profilbearbeitung und Oberflächenbeschichtung nach Kundenwunsch

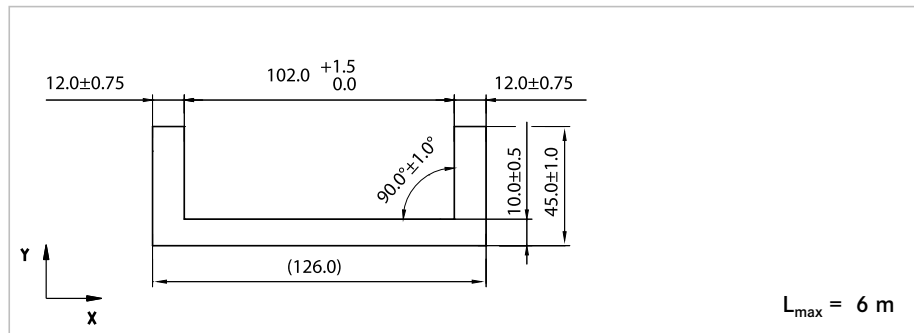
SPEED + SILENT profile Type L

- strong-walled robust guide profile
- material grade: S355 J2
- profile in higher production quality
- in laser-welded design
- suitable for VULKOLLAN® - and POLYAMID WINKEL Bearings
- complete profile machining and surface coating according to customer requirements

Standard V-L

Artikel-Nr. 113.003.010
Article no.

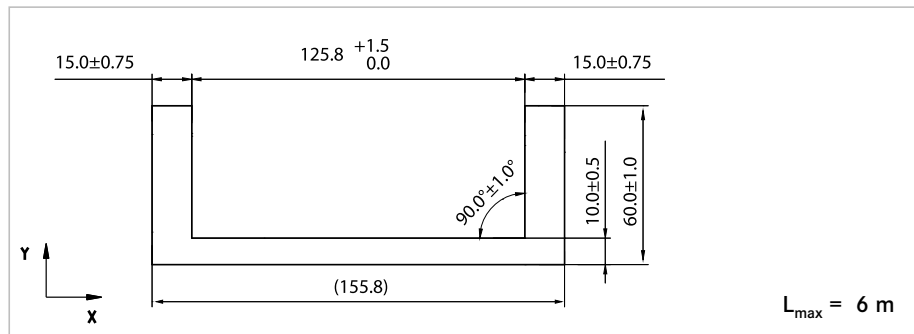
| | |
|----------------|------------------------|
| m | 16,50 kg/m |
| A | 21,00 cm ² |
| I _x | 35,10 cm ⁴ |
| W _x | 11,30 cm ³ |
| I _y | 440,60 cm ⁴ |
| W _y | 69,90 cm ³ |
| e _y | 1,40 cm |



Standard R-L

Artikel-Nr. 113.006.010
Article no.

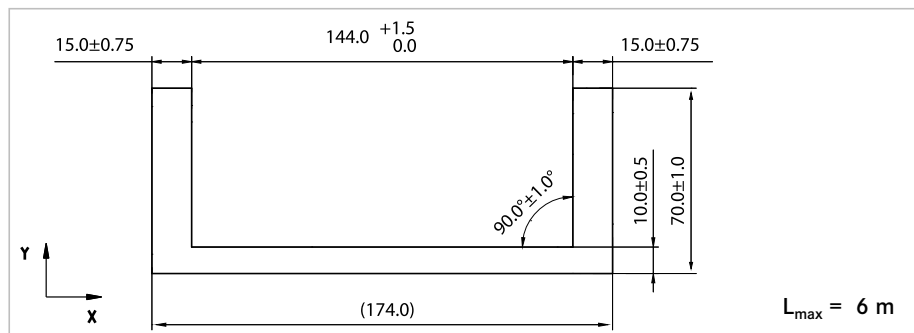
| | |
|----------------|-------------------------|
| m | 24,00 kg/m |
| A | 30,60 cm ² |
| I _x | 101,30 cm ⁴ |
| W _x | 25,20 cm ³ |
| I _y | 1061,40 cm ⁴ |
| W _y | 135,30 cm ³ |
| e _y | 1,97 cm |



Standard W-L

Artikel-Nr. 113.004.010
Article no.

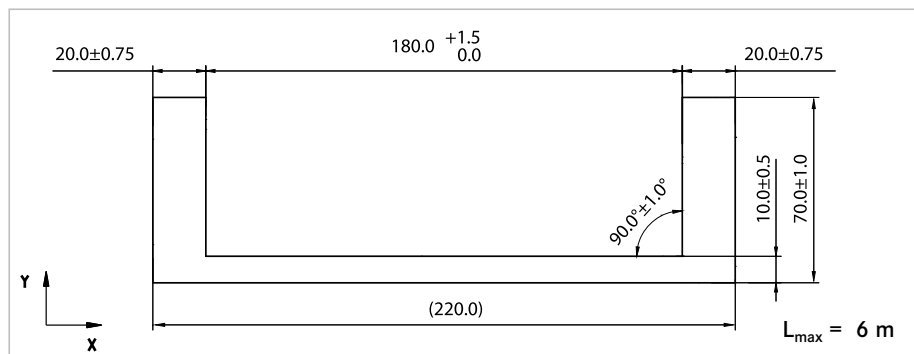
| | |
|----------------|-------------------------|
| m | 27,80 kg/m |
| A | 35,40 cm ² |
| I _x | 163,80 cm ⁴ |
| W _x | 34,71 cm ³ |
| I _y | 1580,00 cm ⁴ |
| W _y | 181,60 cm ³ |
| e _y | 2,28 cm |



Standard X-L

Artikel-Nr. 113.005.010
Article no.

| | |
|----------------|-------------------------|
| m | 36,10 kg/m |
| A | 46,00 cm ² |
| I _x | 214,40 cm ⁴ |
| W _x | 45,88 cm ³ |
| I _y | 3295,30 cm ⁴ |
| W _y | 299,60 cm ³ |
| e _y | 2,33 cm |



VULKOLLAN®: Registered Trademark of Covestro Group