



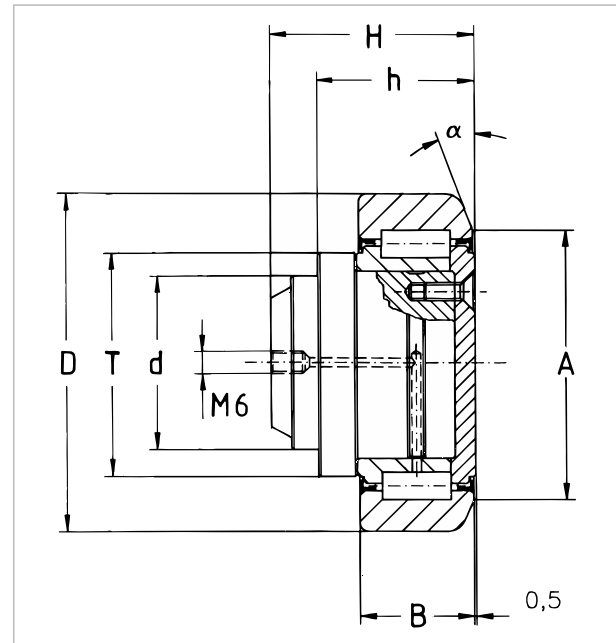
WINKEL-Rollen | WINKEL Bearings

WINKEL-Radiallager

Abb. exemplarisch
fig. exemplary



WINKEL Radial Bearing



Technische Daten:

- Die Außenringe sind aus Einsatzstahl 20 CrMnTi gehärtet 58-62 HRC
- Die Innenringe sind aus Stahl 100 Cr 6 gehärtet 58-62 HRC
- Flachköpfige Wälzkörper aus Stahl 100 Cr 6 gehärtet 60 – 65 HRC
- Anschweißbolzen aus C20 (Werkstoffnr. 1.1151)
- Bolzentoleranz -0,05 mm
- Nachschmierbarkeit für Rollen 2.054 – 2.064
- Radiallager werden bei der Montage mit Schmierfett Grad 3 (z.B. Shell Gadus S2 V 100 3) befettet

Technical characteristics:

- Outer rings are made from case-hardened steel 20 CrMnTi hardened at 58-62HRC
- Inner rings are made from bearing steel 100 Cr 6 hardened at 58-62 HRC
- Cylindrical rollers have flat ground heads, made of 100 Cr 6 steel hardened at 60 – 65 HRC
- Welding bolts are made of C20 (Material no. 1.1151)
- bolt tolerance -0.05 mm
- bearings from 2.054 to 2.064 are relubricatable
- bearings are lubricated with grease grade 3 (e.g. Shell Gadus S2 V 100 3)



Nachschmiersysteme für WINKEL-Rollen
Lubrication systems for WINKEL bearings
(Seite/page 140)

CAD Download in 2D/3D unter www.winkel.de

CAD download in 2D/3D at www.winkel.de

Typ Type	Artikel-Nr. Article no.	D -0.1 [mm]	T [mm]	d -0.05 [mm]	H [mm]	h [mm]	B [mm]	A [mm]	α [mm]
2.054	205.061.000	62,5	42	30	34,5	26,5	20	50	20°
2.055	205.062.000	70,1	48	35	42,0	34,0	23	57	20°
2.056	205.063.000	77,7	53	40	45,5	34,0	23	61	20°
2.058	205.064.000	88,4	59	45	54,0	41,0	30	68	20°
2.061	205.065.000	107,7	71	60	65,5	51,5	31	82	20°
2.062	205.066.000	123,0	80	60	67,8	51,5	37	92	20°
2.063	205.067.000	149,0	103	60	73,0	54,0	45	116	15°
2.064	205.069.000	170,0	103	80	84,0	65,0	53	130	15°

NEW

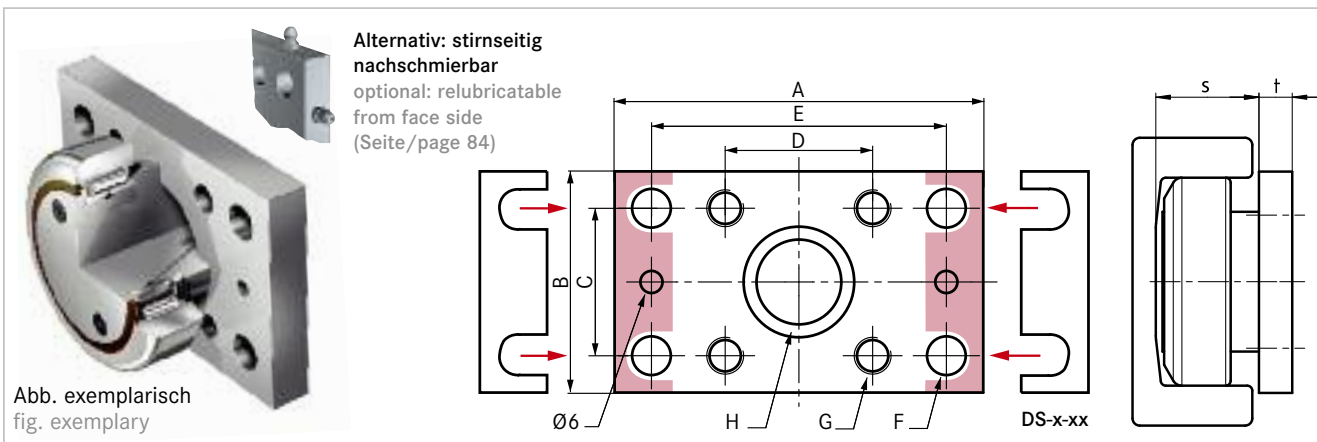
C = Dyn. Tragzahl Radiallager (ISO 281/1), C₀ = Stat. Tragzahl Radiallager (ISO 76),
F_r = Tragzahl Radiallager zulässige Belastung zwischen Rolle und Profil



WINKEL-Rollen | WINKEL Bearings

Passende Anschraubplatten

Suitable flange plates

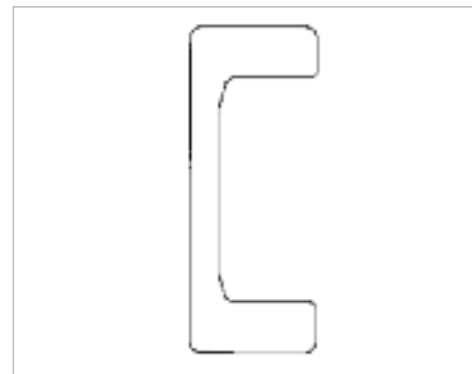
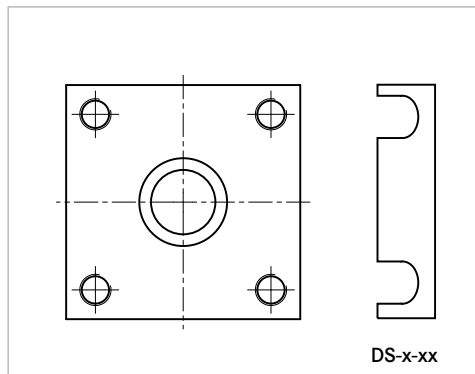


Typ Type	Artikel-Nr. Article no.	A [mm]	B [mm]	C [mm]	D [mm]	E [mm]	Ø F [mm]	G [mm]	Ø H [mm]	s [mm]	t [mm]	Distanzsteckblech 0,5mm Washer 0.5mm		Distanzsteckblech 1,0mm Washer 1.0mm	
AP 0	212.003.000	100	60	40	40	80	10,5	M10	30	30,5	10	DS-0-0,5	238.020.000	DS-0-1,0	238.020.001
AP 1	212.004.000	120	80	50	50	90	12,5	M12	35	36,0	15	DS-1-0,5	238.021.000	DS-1-1,0	238.021.001
AP 2	212.005.000	120	80	50	50	90	12,5	M12	40	36,5	15	DS-2-0,5	238.021.000	DS-2-1,0	238.021.001
AP 3.1	212.006.001	160	100	60	60	120	17,0	M16	45	44,0	20	DS-3.1-0,5	238.105.000	DS-3.1-1,0	238.105.001
AP 4	212.007.001	180	120	80	80	140	17,0	M16	60	56,0	20	DS-4-0,5	238.023.000	DS-4-1,0	238.023.001
AP 6	212.008.000	200	150	100	100	160	17,0	M16	60	58,5	20	DS-6-0,5	238.024.000	DS-6-1,0	238.024.001

Abstreifer Seite 88
Wiper page 88

Anschraubplatten quadratisch Reihe AP-Q S. 90
Flange plates square series AP-Q page 90

Profile Seite 62
Profiles page 62



Typ Type	F _R [kN]	C [kN]	C ₀ [kN]	Gewicht kg Weight kg	Anschraubplatten Flange plates			Profile standard Profiles standard
2.054	10,30	31,0	35,5	0,55	AP0	AP0-LUB	AP0-Q	0 NbV
2.055	12,40	45,5	51,0	0,80	AP1	AP1-LUB	AP1-Q	1 NbV
2.056	12,90	48,0	56,8	1,05	AP2	AP2-LUB	AP2-Q	2 NbV
2.058	22,40	68,0	72,0	1,70	AP3.1	AP3.1-LUB	AP3-Q	3 NbV
2.061	23,80	81,0	95,0	2,90	AP4	AP4-LUB	AP4-Q	4 NbV
2.062	33,90	110,0	132,0	4,00	AP4	AP4-LUB	AP4-Q	5 NbV
2.063	59,20	151,0	192,0	6,70	AP6	AP6-LUB	AP6-Q	6 NbV
2.064	72,00	217,0	269,0	10,24	-	-	AP89-Q	7 NbV®

C = Dynamic load capacity radial bearing (ISO 281/1), C₀ = Static load capacity radial bearing (ISO 76),
F_R = Load capacity radial bearing max. allowable force between bearing and profile,