



WINKEL-Rollen | WINKEL Bearings

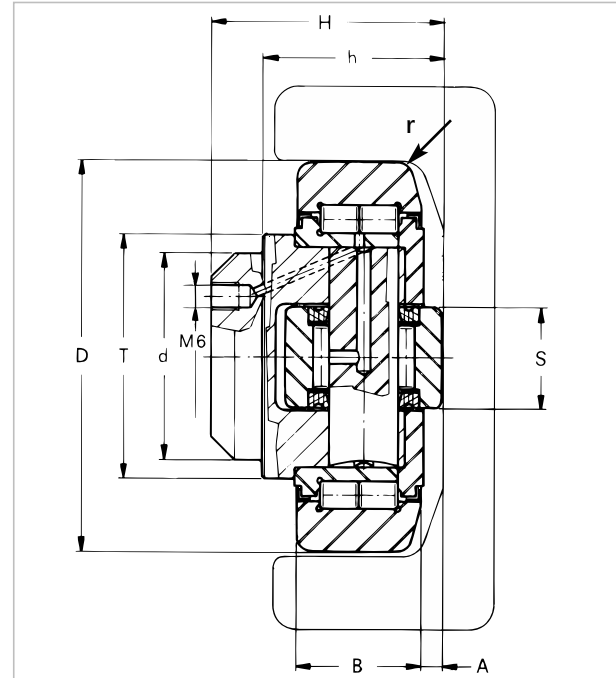
WINKEL-Rolle Axialrolle fest

Nachschmierbarkeit für Rollen 4.054 - 4.064



WINKEL Bearing axial bearing fixed

Relubrication only for types 4.054 - 4.064



CAD Download in 2D/3D unter www.winkel.de
CAD download in 2D/3D at www.winkel.de



Axiale Justierung über Steckbleche
Adjustement of bearings with screw-axial adjustment of plug trays



Nachschmiersysteme für WINKEL-Rollen
Lubrication systems for WINKEL bearings
(Seite/page 140)

Typ Type	Artikel-Nr. Article no.	D -0.1 [mm]	T [mm]	d -0.05 [mm]	H [mm]	h [mm]	B [mm]	A [mm]	S [mm]	r [mm]
4.053	200.024.000	52,5	40	30	33,0	27,0	17	5,0	15	3
4.054	200.001.000	62,5	42	30	37,5	30,5	20	2,5	20	3
4.055	200.002.000	70,1	48	35	44,0	36,0	23	2,5	22	4,5
4.056	200.003.000	77,7	54	40	48,0	36,5	23	3,0	26	4,5
4.057	200.004.002	77,7	53	40	40,0	29,0	23	3,0	26	4,5
4.058	200.005.000	88,4	59	45	57,0	44,0	30	3,5	26	4
4.059	200.006.000	101,2	67	50	46,0	33,0	28	3,0	30	4
4.060	200.007.000	107,7	71	55	53,0	39,0	31	3,0	34	5
4.061	200.008.000	107,7	71	60	69,0	55,0	31	4,0	34	5
4.062	200.009.000	123,0	80	60	72,3	56,0	37	5,0	40	5
4.063	200.010.000	149,0	103	60	77,5	58,5	45	5,5	50	5
4.064	200.026.000	170,0	103	80	91,0	72,0	53	7,0	50	5

C = Dyn. Tragzahl Radiallager (ISO 281/1), C₀ = Stat. Tragzahl Radiallager (ISO 76),
C_A = Dyn. Tragzahl Axiallager (ISO 281/1), C_{0A} = Stat. Tragzahl Axiallager (ISO 76),
F_R = Tragzahl Radiallager zulässige Belastung zwischen Rolle und Profil,
F_A = Tragzahl Axiallager zulässige Belastung zwischen Rolle und Profil

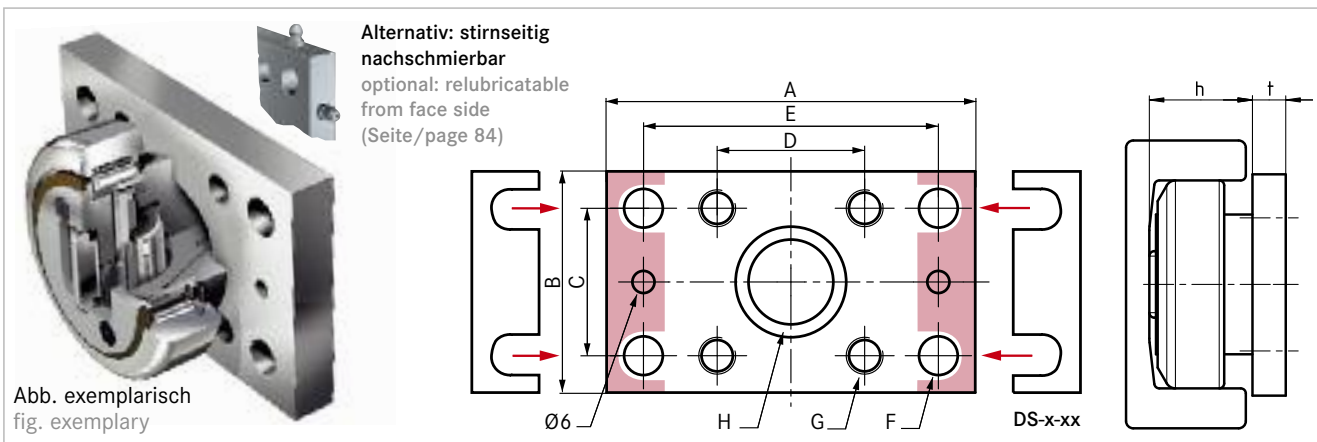
NEW



WINKEL-Rollen | WINKEL Bearings

Passende Anschraubplatten

Suitable flange plates

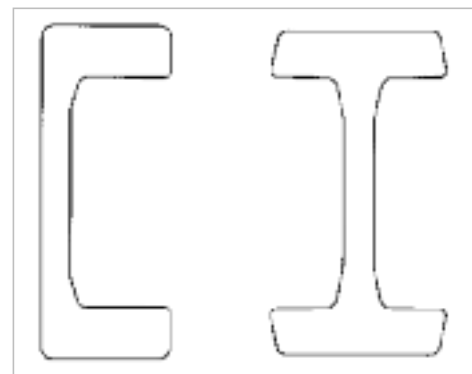
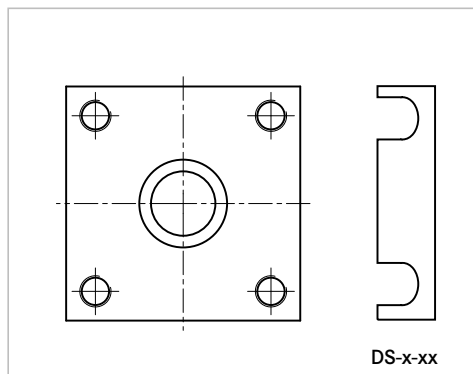


Typ Type	Artikel-Nr. Article no.	A [mm]	B [mm]	C [mm]	D [mm]	E [mm]	Ø F [mm]	G	Ø H [mm]	t [mm]	Distanzsteckblech 0,5mm Washer 0.5mm		Distanzsteckblech 1,0mm Washer 1.0mm	
AP S	212.014.000	90	50	30	40	70	8,5	M 8	30	10	DS-S-0,5	238.025.000	DS-S-1,0	238.025.001
AP 0	212.003.000	100	60	40	40	80	10,5	M10	30	10	DS-0-0,5	238.020.000	DS-0-1,0	238.020.001
AP 1	212.004.000	120	80	50	50	90	12,5	M12	35	15	DS-1-0,5	238.021.000	DS-1-1,0	238.021.001
AP 2	212.005.000	120	80	50	50	90	12,5	M12	40	15	DS-2-0,5	238.021.000	DS-2-1,0	238.021.001
AP 3.1	212.006.001	160	100	60	60	120	17,0	M16	45	20	DS-3.1-0,5	238.105.000	DS-3.1-1,0	238.105.001
AP 4	212.007.001	180	120	80	80	140	17,0	M16	60	20	DS-4-0,5	238.023.000	DS-4-1,0	238.023.001
AP 6	212.008.000	200	150	100	100	160	17,0	M16	60	20	DS-6-0,5	238.024.000	DS-6-1,0	238.024.001

Abstreifer Seite 88
Wiper page 88

Anschraubplatten quadratisch Reihe AP-Q S. 90
Flange plates square series AP-Q page 90

Profile Seite 62 / 70
Profiles page 62 / 70



Typ Type	F _R [kN]	F _A [kN]	C [kN]	C ₀ [kN]	C _A [kN]	C _{0A} [kN]	Gewicht kg Weight kg	Anschraubplatten Flange plates	Profile Standard Profiles standard
4.053	5,23	1,68	24,0	32,0	7	7	0,46	APS - APS-Q	S
4.054	10,30	3,20	31,0	35,5	11	11	0,53	AP0 AP0-LUB AP0-Q	0 NbV
4.055	12,40	3,87	45,5	51,0	13	14	0,80	AP1 AP1-LUB AP1-Q	1 NbV 3018 NbV
4.056	12,90	4,00	48,0	56,8	18	18	1,00	AP2 AP2-LUB AP2-Q	2 NbV
4.057	12,90	4,00	48,0	56,8	18	18	0,87	-	3019 NbV
4.058	22,40	7,00	68,0	72,0	23	23	1,62	AP3.1 AP3.1-LUB AP3-Q	3 NbV 3020 NbV
4.059	22,00	7,00	73,0	82,0	25	27	1,74	-	2912 NbV
4.060	23,80	7,44	81,0	95,0	31	36	2,27	-	3100 NbV
4.061	23,80	7,44	81,0	95,0	31	36	2,82	AP4 AP4-LUB AP4-Q	4 NbV
4.062	33,90 (26,00)	10,60	110,0	132,0	43	50	3,89	AP4 AP4-LUB AP4-Q	5 NbV (3353 NbV)
4.063	59,20	18,50	151,0	192,0	68	71	6,52	AP6 AP6-LUB AP6-Q	6 NbV
4.064	72,00	18,50	262,7	471,1	96	145	10,40	- - AP89-Q	7 NbV®

C = Dynamic load capacity radial bearing (ISO 281/1), C₀ = Static load capacity radial bearing (ISO 76),
C_A = Dynamic load capacity axial bearing (ISO 281/1), C_{0A} = Static load capacity axial bearing (ISO 76),
F_R = Load capacity radial bearing max. allowable force between bearing and profile,
F_A = Load capacity axial bearing max. allowable force between bearing and profile

