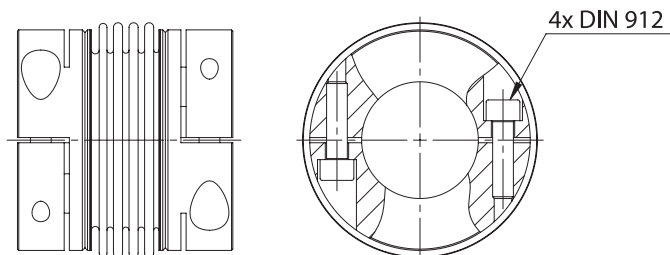


Metallbalgkupplung MKJ-S mit Klemmnabe

Metal bellow coupling MKJ-S with clamping hub



Merkmale

- Spielfreie Drehmomentübertragung
- Kleiner Einbauraum
- Hohe Temperaturbeständigkeit
- Niedriges Massenträgheitsmoment
- Ideal für Servomotoren
- Kleinste Rückstellkräfte auf die Lagerstellen

Werkstoff der Naben: Stahl
 Werkstoff des Metallbalges: Edelstahl
 Verbindung Balg-Nabe: geschweißt

Bestellbezeichnung / Beispiel:

MKJ-S-150 - 22H7 - 40H7
 Typ+Größe Bohrung D1 Bohrung D2

Characteristics

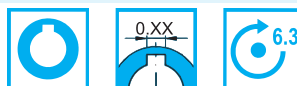
- Backlash-free torque transmission
- A small space for assembly
- High level of thermal stability
- Very low mass moment of inertia
- Ideal for servomotors
- Low restore forces on bearing points

Material of hubs: Steel
 Material of bellows: Stainless steel
 Connection of bellows to hub: Welded

Order description / example:

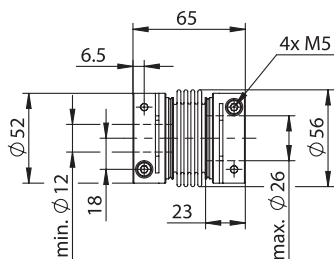
MKJ-S-150 - 22H7 - 40H7
 Type+Size Bore D1 Bore D2

Standard Optionen / Standardized options



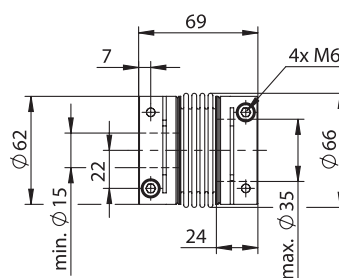
Gewünschte Optionen müssen im Bestelltext angegeben werden (Legende Symbole S. 7).
 Desired options have to be mentioned in the order text (key symbols p. 7).

MKJ-S-15

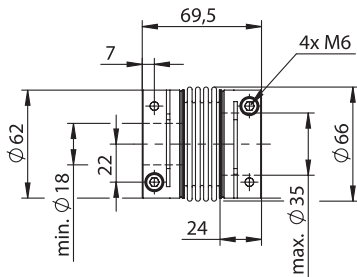


15 [Nm]	Nennmoment Nominal torque	40 [Nm]
24 [10 ³ Nm/rad]	Torsionssteife Torsional stiffness	37.5 [10 ³ Nm/rad]
400 [N/mm]	Laterale Federsteife Lateral spring stiffness	530 [N/mm]
38 [N/mm]	Axiale Federsteife Axial spring stiffness	39.5 [N/mm]
±0.1 [mm]	Max. lateraler Wellenversatz Max. lateral shaft misalignment	±0.1 [mm]
±0.8 [mm]	Max. axialer Wellenversatz Max. axial shaft misalignment	±0.8 [mm]
±0.8 [Grad] [Degree]	Max. angularer Wellenversatz Max. angular shaft misalignment	±0.8 [Grad] [Degree]
0.27 [10 ⁻³ kgm ²]	Trägheitsmoment Inertia torque	0.57 [10 ⁻³ kgm ²]
0.70 [kg]	Masse Mass	1 [kg]
M5 [DIN 912-12.9]	Klemmschrauben Clamping screws	M6 [DIN 912-12.9]
8 M _a [Nm]	Anzugsmoment der Schrauben Tightening torque of screws	14 M _a [Nm]

MKJ-S-40

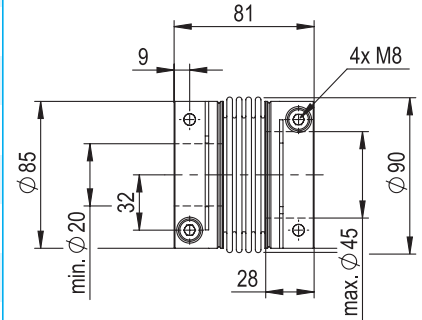


MKJ-S-60

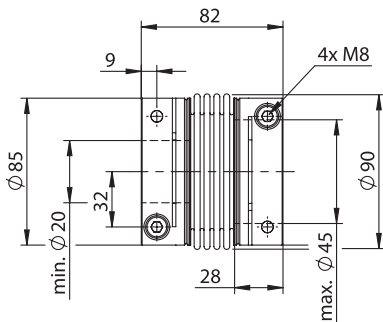


60 [Nm]	Nennmoment Nominal torque	100 [Nm]
47 [10 ³ Nm/rad]	Torsionssteife Torsional stiffness	95 [10 ³ Nm/rad]
790 [N/mm]	Laterale Federsteife Lateral spring stiffness	680 [N/mm]
71.50 [N/mm]	Axiale Federsteife Axial spring stiffness	51 [N/mm]
±0.1 [mm]	Max. lateraler Wellenversatz Max. lateral shaft misalignment	±0.1 [mm]
±0.7 [mm]	Max. axialer Wellenversatz Max. axial shaft misalignment	±0.9 [mm]
±0.8 [Grad] [Degree]	Max. angularer Wellenversatz Max. angular shaft misalignment	±0.8 [Grad] [Degree]
0.58 [10 ⁻³ kgm ²]	Trägheitsmoment Inertia torque	2.40 [10 ⁻³ kgm ²]
1 [kg]	Masse Mass	2.20 [kg]
M6 [DIN 912-12.9]	Klemmschrauben Clamping screws	M8 [DIN 912-12.9]
14 M _A [Nm]	Anzugsmoment der Schrauben Tightening torque of screws	35 M _A [Nm]

MKJ-S-100

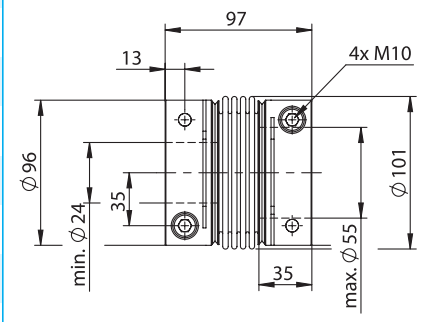


MKJ-S-150

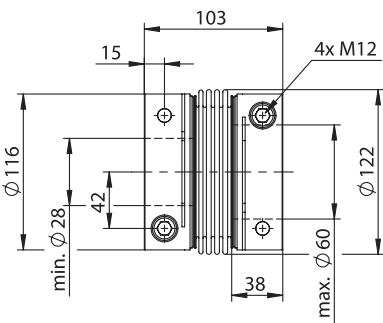


150 [Nm]	Nennmoment Nominal torque	200 [Nm]
110 [10 ³ Nm/rad]	Torsionssteife Torsional stiffness	160 [10 ³ Nm/rad]
110 [N/mm]	Laterale Federsteife Lateral spring stiffness	1500 [N/mm]
135 [N/mm]	Axiale Federsteife Axial spring stiffness	115 [N/mm]
±0.1 [mm]	Max. lateraler Wellenversatz Max. lateral shaft misalignment	±0.1 [mm]
±0.9 [mm]	Max. axialer Wellenversatz Max. axial shaft misalignment	±0.9 [mm]
±0.7 [Grad] [Degree]	Max. angularer Wellenversatz Max. angular shaft misalignment	±0.7 [Grad] [Degree]
2.40 [10 ⁻³ kgm ²]	Trägheitsmoment Inertia torque	4.70 [10 ⁻³ kgm ²]
2.20 [kg]	Masse Mass	3.40 [kg]
M8 [DIN 912-12.9]	Klemmschrauben Clamping screws	M10 [DIN 912-12.9]
35 M _A [Nm]	Anzugsmoment der Schrauben Tightening torque of screws	69 M _A [Nm]

MKJ-S-200



MKJ-S-350



350 [Nm]	Nennmoment Nominal torque	500 [Nm]
230 [10 ³ Nm/rad]	Torsionssteife Torsional stiffness	280 [10 ³ Nm/rad]
1850 [N/mm]	Laterale Federsteife Lateral spring stiffness	2300 [N/mm]
85 [N/mm]	Axiale Federsteife Axial spring stiffness	115 [N/mm]
±0.1 [mm]	Max. lateraler Wellenversatz Max. lateral shaft misalignment	±0.1 [mm]
±1.0 [mm]	Max. axialer Wellenversatz Max. axial shaft misalignment	±0.9 [mm]
±0.7 [Grad] [Degree]	Max. angularer Wellenversatz Max. angular shaft misalignment	±0.7 [Grad] [Degree]
10.70 [10 ⁻³ kgm ²]	Trägheitsmoment Inertia torque	10.80 [10 ⁻³ kgm ²]
5.30 [kg]	Masse Mass	5.30 [kg]
M12 [DIN 912-12.9]	Klemmschrauben Clamping screws	M12 [DIN 912-12.9]
120 M _A [Nm]	Anzugsmoment der Schrauben Tightening torque of screws	120 M _A [Nm]

MKJ-S-500

