

## Federstegkupplungen FKA / FKS / FKE mit Klemmnabe

## Sliced coupling FKA / FKS / FKE with clamping hub



### Merkmale

- Ganzmetallkupplung aus einem Stück
- Spielfreie Drehmomentübertragung
- Hohe Torsionssteifigkeit
- Hohe Temperaturbeständigkeit (bis zu 150°C)
- Erhältlich in drei Materialien (Aluminium / Edelstahl / Stahl)
- Geeignet für Servomotoren
- Wartungs- und Verschleißfrei

### Bestellbezeichnung / Beispiel:

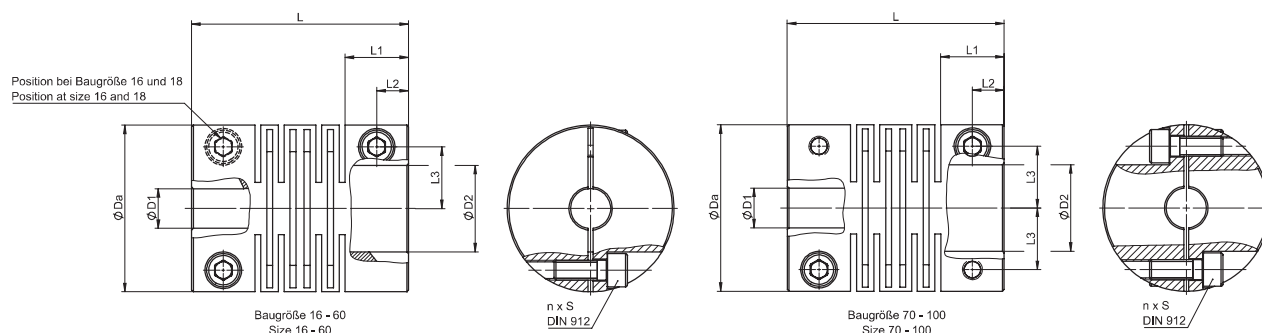
FKA-30 - 10H7 - 12H7  
Typ+Baugröße Bohrung D1 Bohrung D2

### Characteristics

- Full metal coupling made of one piece
- Backlash-free torque transmission
- High torsion stiffness
- High level of thermal stability (up to 150°C)
- Available in three materials (Aluminum / Stainless steel / Steel)
- Suitable for servo motors
- Maintenance and wear-free

### Order description / example:

FKA-30 - 10H7 - 12H7  
Type+Size Bore D1 Bore D2



Typ Type	Baugröße Size	Da	L	D1	D2	L1	L2	L3	Klemmschraube S Clamping screw S	Anzahl Schraube n Qty. screw n	Anzugsmoment Stahl / Edelstahl Tightening torque steel / stainless steel [Nm]
		[mm]	[mm]	[mm]	[mm]	[mm]	[mm]	[mm]	[DIN 912]	[Stk. / pcs]	
FKA / FKS / FKE	16	16	23	3-6	3-6	7	3,5		M2,5	2	1 / 0,75
FKA / FKS / FKE	18	18	17	3-6	3-6	5	2,5	5,5	M2,5	2	1 / 0,75
FKA / FKS / FKE	20	20	28	3-8	3-8	8	4	6,5	M2,5	2	1 / 0,75
FKA / FKS / FKE	22	22	20	3-10	3-10	5,5	2,75	7,2	M2,5	2	1 / 0,75
FKA / FKS / FKE	25	25	28	5-12	5-12	8	4	9	M3	2	1,5 / 1,2
FKA / FKS / FKE	30	30	40	6-15	6-15	11	5,50	10,5	M4	2	3,4 / 2,9
FKA / FKS / FKE	40	40	48	6-20	6-20	11	5,50	14	M5	2	7 / 5,7
FKA / FKS / FKE	50	50	65	9-26	9-26	19	9,50	18,5	M6	2	14 / 10
FKA / FKS / FKE	60	60	80	10-30	10-30	5	12,50	21	M8	2	27 / 24
FKA / FKS / FKE	70	70	95	15-38	15-38	25	12,50	25	M8	4	27 / 24
FKA / FKS / FKE	80	80	100	24-42	24-42	25	12,50	29	M8	4	27 / 24
FKA / FKS / FKE	100	100	118	30-55	30-55	30	15	37	M10	4	54 / 48

**Aluminium FKA**  
Aluminium FKA



Baugröße Size	Nenn Drehmoment Nominal torque [Nm]	Max. Drehmoment Max. torque [Nm]	Max. Wellenversatzwerte Max. shaft misalignments			Max. Drehzahl Max. rotation speed [min <sup>-1</sup> ]	Gewicht Weight [g]	Torsionssteifigkeit Torsional stiffness [x10 <sup>3</sup> Nm/rad]
			Lateral Lateral [mm]	Axial Axial [mm]	Winkel Angular [°]			
16	1	2	± 0.1	± 0.2	± 1	10000	10	0.2
18	1	2	± 0.15	± 0.2	± 0.5	11500	8	0.1
20	1.5	3	± 0.1	± 0.1	± 1	11500	17	0.4
22	1	2	± 0.15	± 0.1	± 1	11500	19	0.69
25	3	6	± 0.1	± 0.1	± 1	10000	24	0.53
30	4	8	± 0.1	± 0.1	± 0.85	8000	49	0.86
40	9	18	± 0.15	± 0.1	± 0.85	7500	110	3.75
50	15	30	± 0.15	± 0.1	± 0.7	7000	210	7.20
60	32	65	± 0.15	± 0.15	± 0.7	6000	420	12.75
70	60	120	± 0.1	± 0.1	± 0.33	5000	650	66.80
80	85	170	± 0.1	± 0.1	± 0.33	4000	860	78.2
100	150	300	± 0.1	± 0.1	± 0.33	3500	1630	278.9

**Stahl FKS**  
Steel FKS



Baugröße Size	Nenn Drehmoment Nominal torque [Nm]	Max. Drehmoment Max. torque [Nm]	Max. Wellenversatzwerte Max. shaft misalignments			Max. Drehzahl Max. rotation speed [min <sup>-1</sup> ]	Gewicht Weight [g]	Torsionssteifigkeit Torsional stiffness [x10 <sup>3</sup> Nm/rad]
			Lateral Lateral [mm]	Axial Axial [mm]	Winkel Angular [°]			
20	5	10	± 0.1	± 0.1	± 0.5	11500	45	1.2
25	7	14	± 0.1	± 0.1	± 1	10000	65	1.55
30	9	18	± 0.1	± 0.1	± 0.85	8000	135	2.53
40	15	30	± 0.15	± 0.1	± 0.85	7500	300	11
50	30	60	± 0.15	± 0.1	± 0.5	7000	575	20.95
60	55	110	± 0.15	± 0.1	± 0.5	6000	1150	37.15
70	95	190	± 0.1	± 0.06	± 0.3	5000	1755	196
80	120	240	± 0.06	± 0.06	± 0.3	4000	2330	229.5
100	200	400	± 0.06	± 0.06	± 0.3	3500	4425	821.3

**Edelstahl FKE**  
Stainless steel FKE



Baugröße Size	Nenn Drehmoment Nominal torque [Nm]	Max. Drehmoment Max. torque [Nm]	Max. Wellenversatzwerte Max. shaft misalignments			Max. Drehzahl Max. rotation speed [min <sup>-1</sup> ]	Gewicht Weight [g]	Torsionssteifigkeit Torsional stiffness [x10 <sup>3</sup> Nm/rad]
			Lateral Lateral [mm]	Axial Axial [mm]	Winkel Angular [°]			
16	2.25	4.5	± 0.1	± 0.2	± 1	10000	28	0.8
18	2.25	4.5	± 0.15	± 0.2	± 0.5	11500	20	0.7
20	3.75	7.5	± 0.1	± 0.1	± 0.5	11500	45	1.2
22	4.5	9	± 0.1	± 0.15	± 1	11500	40	2.1
25	5.75	11.5	± 0.1	± 0.1	± 0.1	10000	65	1.55
30	7.75	15.5	± 0.1	± 0.1	± 0.85	8000	135	2.53
40	12.5	25	± 0.15	± 0.1	± 0.85	7500	300	11
50	21.5	43	± 0.15	± 0.1	± 0.5	7000	575	20.95
60	49	98	± 0.15	± 0.1	± 0.5	6000	1150	37.15
70	84.5	169	± 0.1	± 0.06	± 0.3	5000	1755	196
80	106.5	213	± 0.06	± 0.06	± 0.3	4000	2330	229.5
100	178	356	± 0.06	± 0.06	± 0.3	3500	4425	821.3